

S78

Performance Brake Caliper

Elevate your ride with the S78 - a sleek, high performance caliper that's built to take on the toughest conditions.

The S78 caliper is engineered to deliver the confidence you need, whether you're carving corners on the track or navigating city streets. Its lightweight, yet incredibly robust construction provides the perfect balance of power and control, letting you push your ride to the limit without holding back.

This caliper is a must-have upgrade for the driving enthusiast who demands nothing less than the best.

Elevate your driving experience and leave the competition in the dust with the S78.

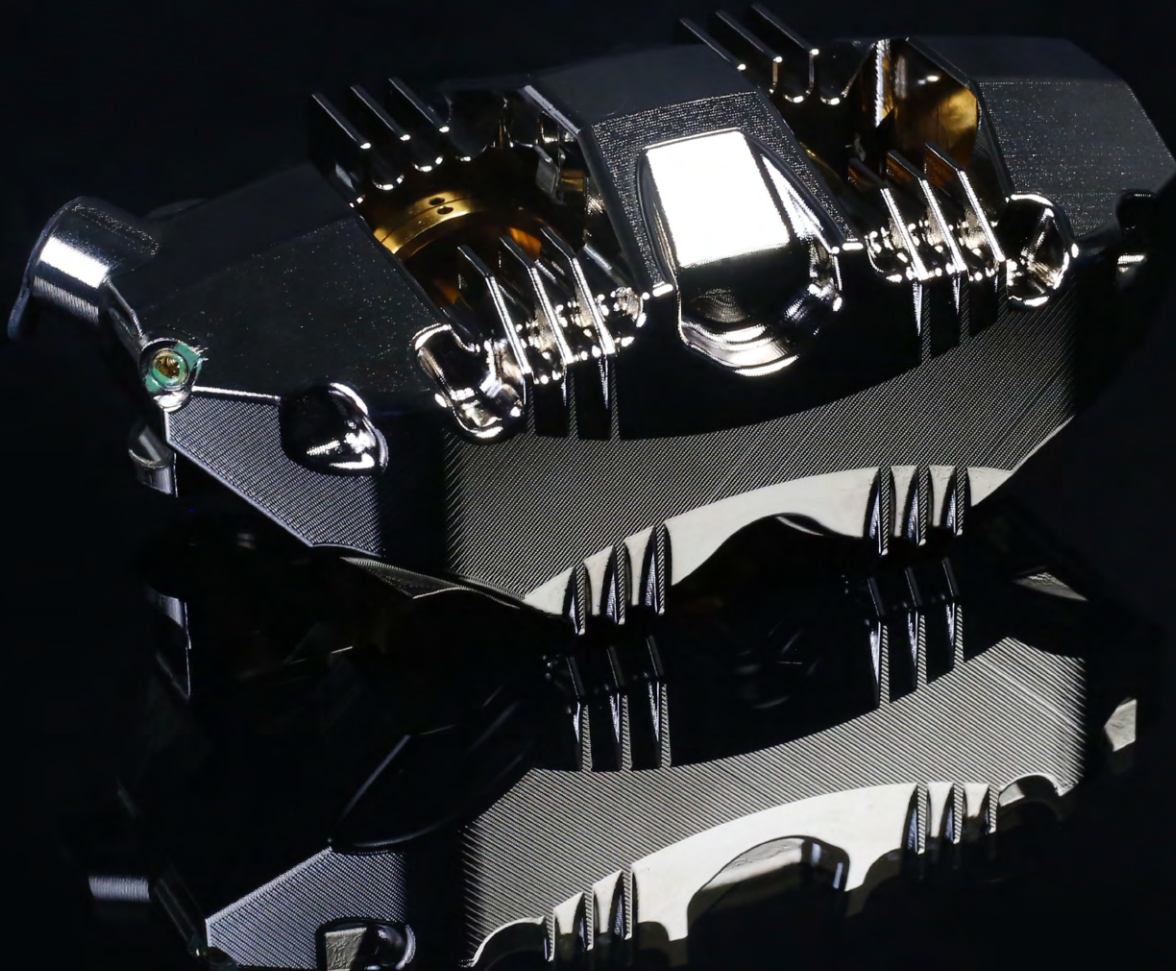


S78

PARAMETER

MOUNT	100mm/108mm
SURFACE TREATMENT	Nickel Plated / Hard Anodized
SEALS	Single Seal
Ø PISTON IN MM	34/34mm
BRAKE CALIPER BODY	Monoblock
NUMBER OF PISTONS	4x 34mm
PISTON MATERIAL	Titanium With TIN Coating
OFFSET IN MM	30mm(100mm)/22.5mm(108mm)
FOR FRICTION SURFACE (MM)	Min 32mm
BRAKE DISC THICKNESS	Min 5.5mm / Max 6.5mm
INCLUDES BRAKE PADS	No
PADS THICKNESS	Min 5mm / Max 8mm
WEIGHT:	100mm: 583g / 108mm: 589g

SKU	ITEM TYPE	Retail Price (EUR) Vat Inclusive (22%)
S78.108.HD.L	108mm Mount Hard Anodized Left Side	€ 1,122.00
S78.108.HD.R	108mm Mount Hard Anodized Right Side	€ 1,122.00
S78.108.NI.L	108mm Mount Nickel Plated Left Side	€ 1,242.00
S78.108.NI.R	108mm Mount Nickel Plated Right Side	€ 1,242.00
S78.100.HD.L	100mm Mount Hard Anodized Left Side	€ 1,122.00
S78.100.HD.R	100mm Mount Hard Anodized Right Side	€ 1,122.00
S78.100.NI.L	100mm Mount Nickel Plated Left Side	€ 1,242.00
S78.100.NI.R	100mm Mount Nickel Plated Right Side	€ 1,242.00



NICKEL PLATED

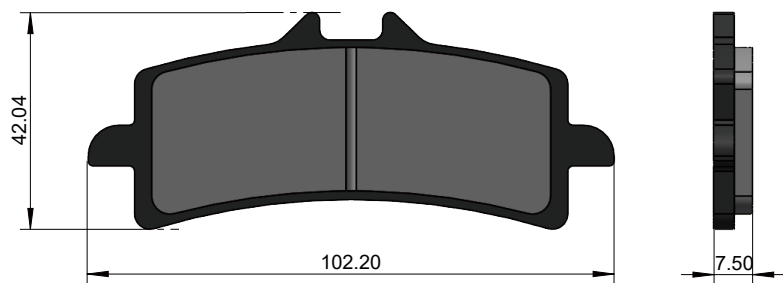


HARD ANODIZED

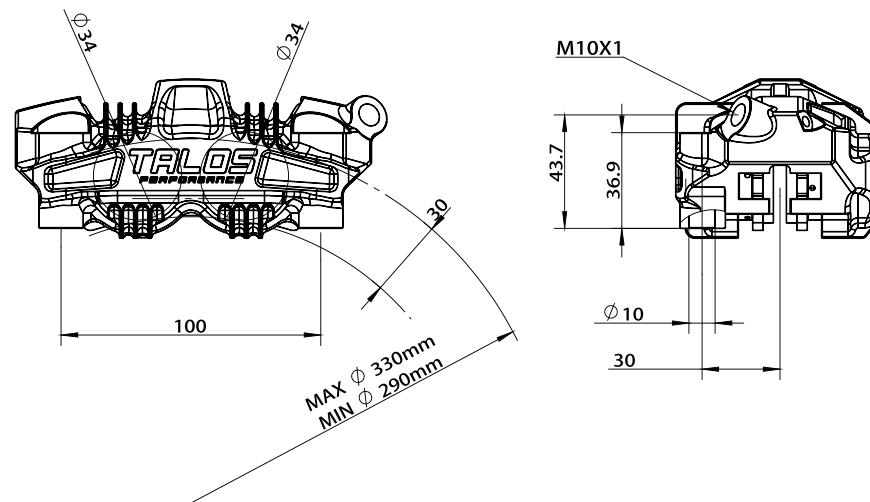
NOT STREET LEGAL. RACE USE ONLY



BRAKE PAD



100mm



108mm

